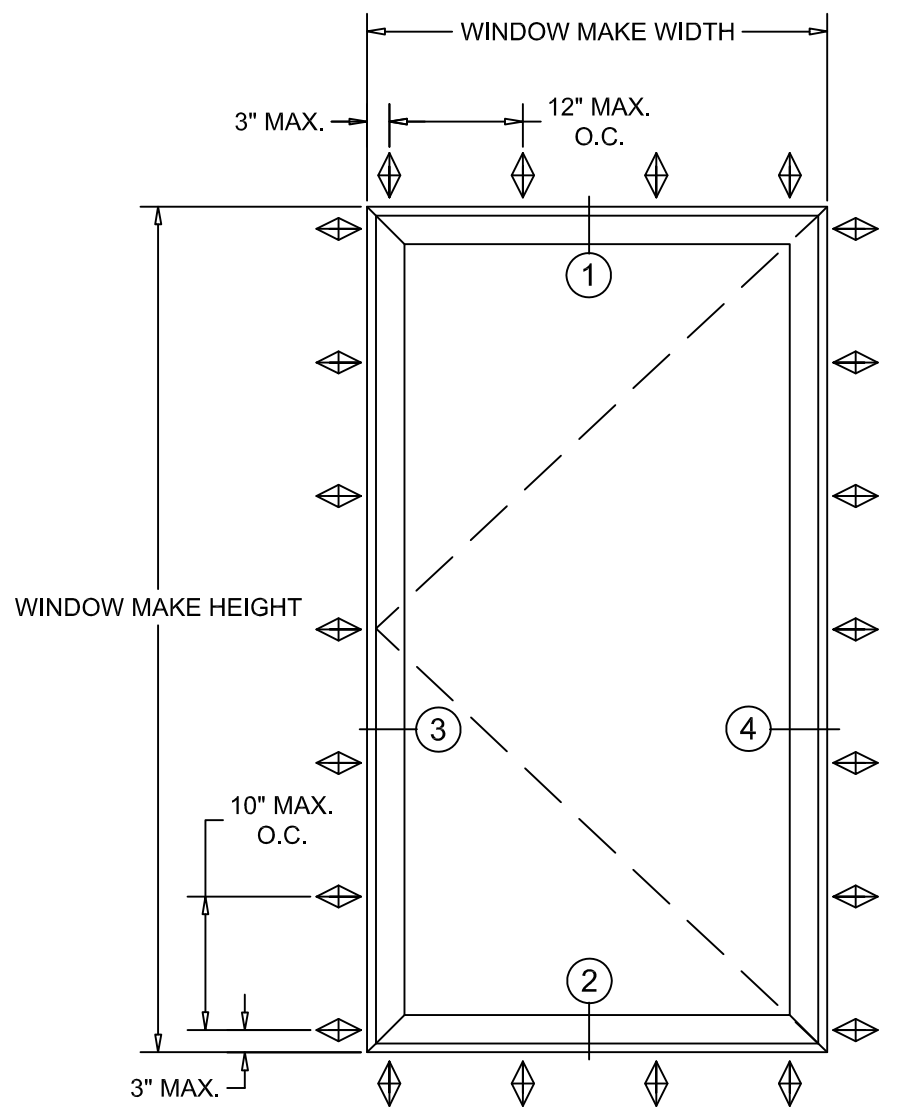


# NOTE: TYPICAL W600/W605 WOOD TWO TONE CASEMENT WINDOW - NAIL FIN INSTALLATION



Maximum				
FW	FH	DLO-W	DLO-H	Pressure
48"	84"	42 1/4"	78 1/4"	± 70 PSF

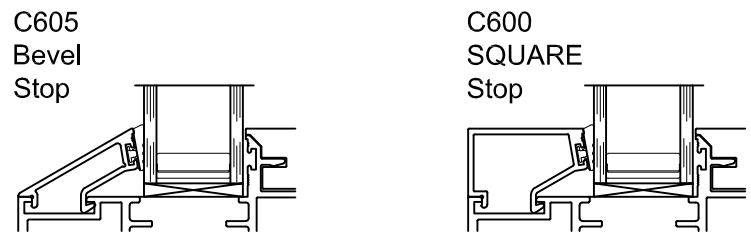
**Mark A**

1" Insulating Glass  
Two lights 1/4" Annealed Glass  
with 1/2" Spacer

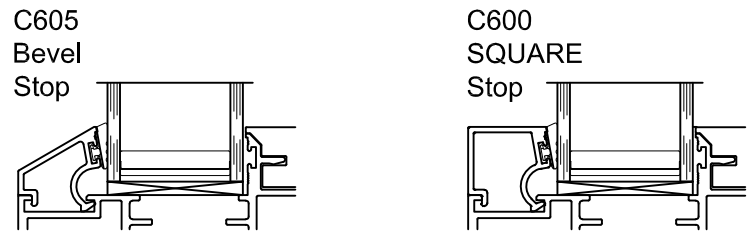
1 3/8" Insulating Glass  
Two lights 1/4" Annealed Glass  
with 7/8" Spacer

**Notes:**

1. Installations depicted satisfy the requirements of the 8th Edition (2023) of the Florida Building Code for Wind Pressures and Overall Sizes shown.
2. As Tested Anchor spacings are shown on the Elevations.
3. Wood Framing are assumed to Southern Pine (G=0.55) or denser.
4. Metal stud frames are assumed to be a minimum 16 gauge 33 KSI Steel.
5. Concrete masonry (CMU) shall conform to ASTM C90.
6. Concrete shall be minimum  $f_c = 3,000$  psi.
7. Wood Screws shall meet requirements of ANSI/ASME B18.6.1.
8. TEKS screws shall be ASTM A510 Grade 1018 or equivalent.
9. Hilti Kwik-Con + anchors as specified in NOA 21-0628.20
10. Maximum Frame Shim Space is 1/4" as shown. Shims shall be non-compressible load bearing type.
11. Exterior and Interior shall be sealed according to Shop Drawings.
12. Products shown are NOT Impact Resistant and require an approved protection device if used in windborne debris regions.
13. Not for use in High Velocity Hurricane Zone (HVHZ).
14. Sealing and flashing strategies and overall water infiltration performance of the installed product are by others and not addressed by this document.



Standard 1" I.G.



Optional 1 3/8" I.G.

Tanya A. Dolby, P.E.  
FL P.E. No. 93536  
Intertek – ATI  
130 Derry Ct. York, PA 17406  
(717) 764-7700  
Project: Q5070.01

Project Name: **W600/W605 Casement Wood Two Tone Installation Instructions**

**GENERAL NOTES**

QUAKER WINDOW PRODUCTS WILL NOT BE RESPONSIBLE FOR FIELD MEASUREMENT, QUANTITIES, & INSTALLATION DESIGN. CONTRACTOR MUST VERIFY ALL DIMENSIONS.

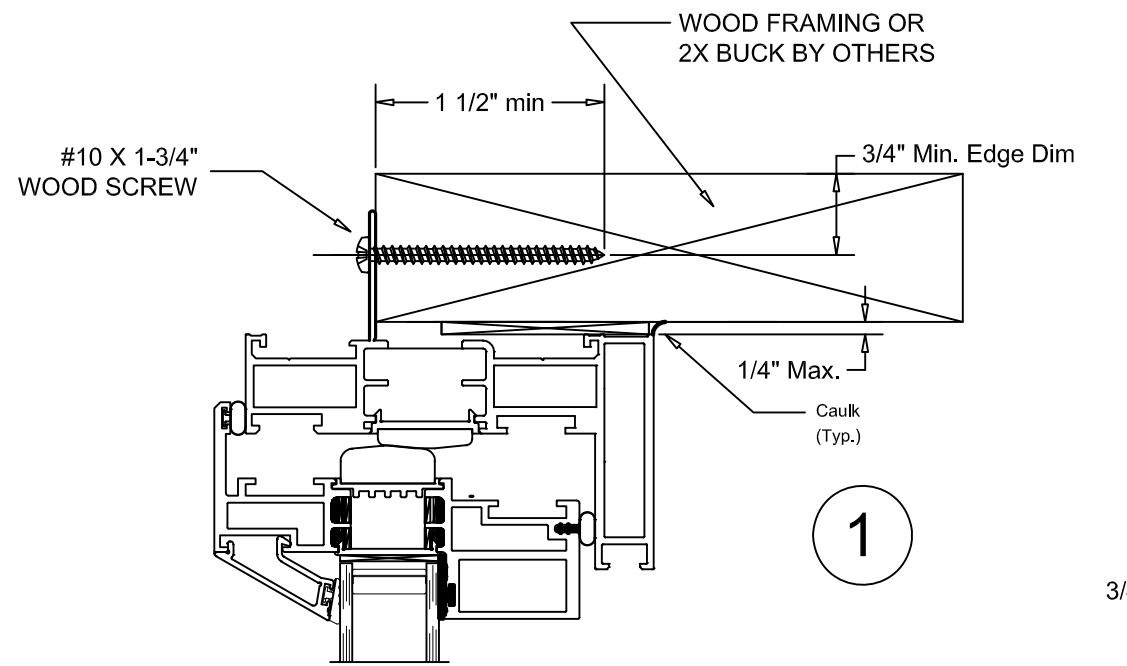
PHONE (573)-744-5211  
FAX (573)-744-5586  
COMMERCIAL  
FAX (573)-744-5822  
www.quakerwindows.com

Scale: **NONE**  
Sheet #: **1 of 4**

504 Highway 63 South  
Freeburg, MO 65035  
drafting@quakerwindows.com

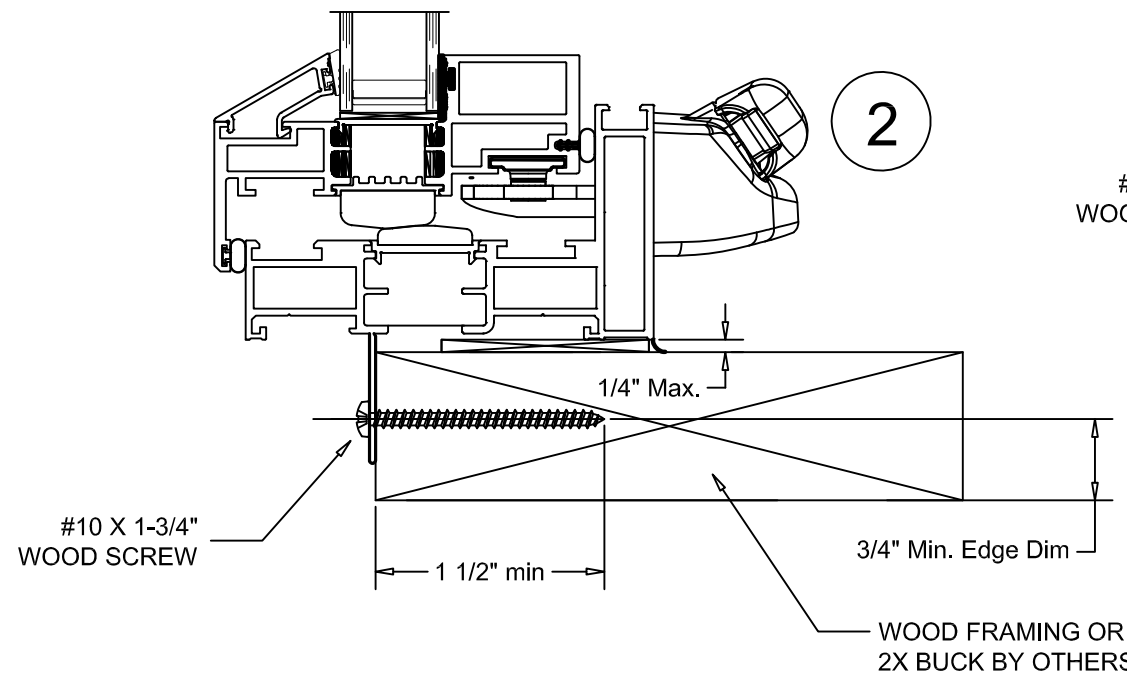
Drawn By: **Bud**  
Date: **08-22-2023**

# NOTE: TYPICAL C600/C605 ONE TONE - CASEMENT WINDOW - NAIL FIN INSTALLATION



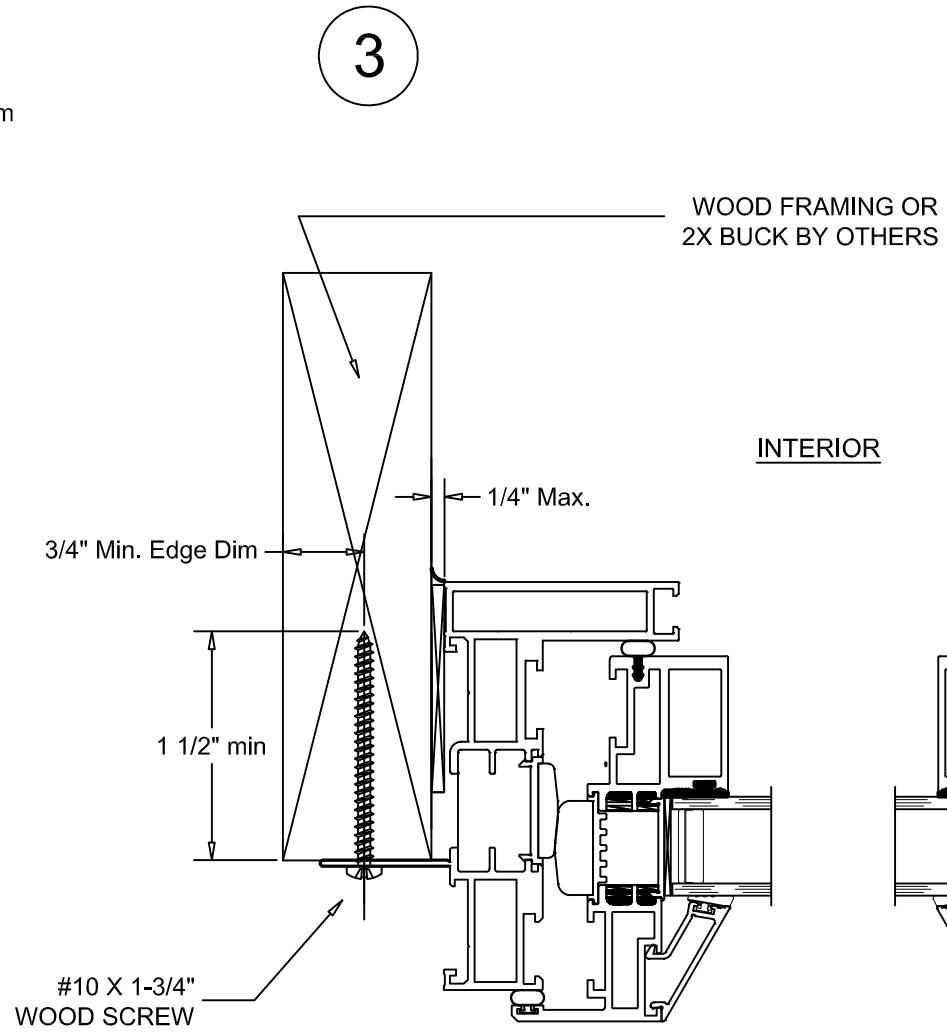
EXTERIOR

INTERIOR



VERTICAL SECTION DETAIL

WOOD FRAMING INSTALLATION

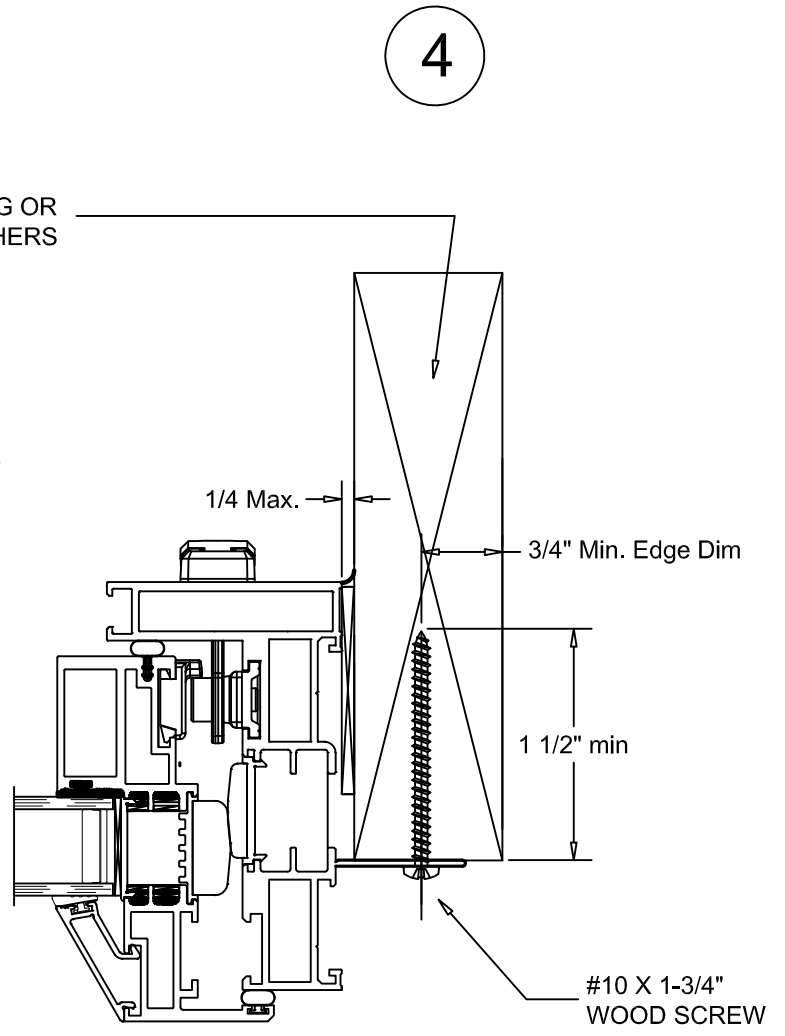


INTERIOR

EXTERIOR

HORIZONTAL SECTION DETAIL

WOOD FRAMING INSTALLATION



Project Name: **C600/C605 Casement One Tone**  
Installation Instructions

## GENERAL NOTES

QUAKER WINDOW PRODUCTS WILL NOT BE RESPONSIBLE FOR FIELD MEASUREMENT, QUANTITIES, & INSTALLATION DESIGN. CONTRACTOR MUST VERIFY ALL DIMENSIONS.

PHONE (573)-744-5211  
FAX (573)-744-5586  
COMMERCIAL  
FAX (573)-744-5822  
www.quakerwindows.com

Scale: NONE  
Sheet #: 2 of 4

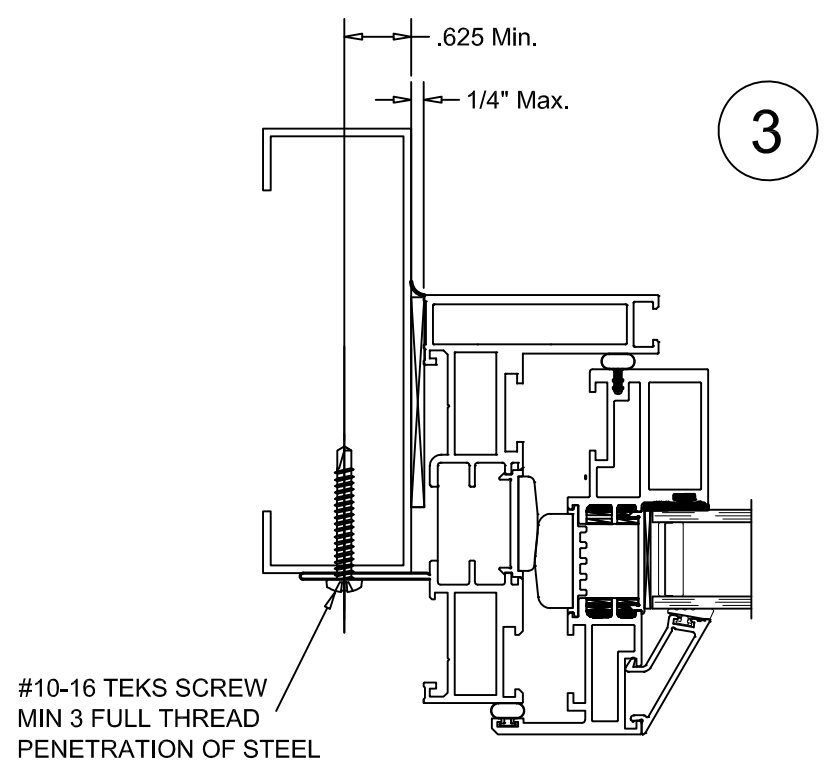
504 Highway 63 South  
Freeburg, MO 65035  
drafting@quakerwindows.com

Drawn By: Bud  
Date: 08-22-2023

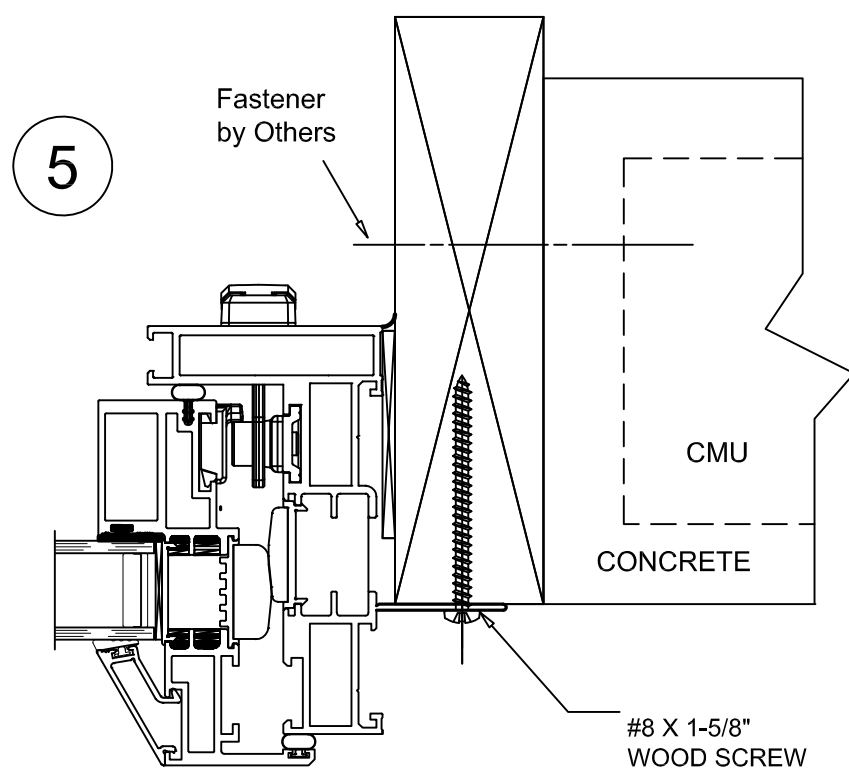
Tanya A. Dolby, P.E.  
FL P.E. No. 93536  
Intertek - ATI  
130 Derry Ct. York, PA 17406  
(717) 764-7700  
Project: Q5070.01

**NOTE: TYPICAL C600/C605 ONE TONE - CASEMENT WINDOW - NAIL FIN INSTALLATION**

INTERIOR



EXTERIOR



See Detail 4 on sheet 2 for wood anchorage

Project Name: **C600/C605 Casement One Tone Installation Instructions**

**GENERAL NOTES**

QUAKER WINDOW PRODUCTS WILL NOT BE RESPONSIBLE FOR FIELD MEASUREMENT, QUANTITIES, & INSTALLATION DESIGN. CONTRACTOR MUST VERIFY ALL DIMENSIONS.

PHONE (573)-744-5211  
FAX (573)-744-5586  
COMMERCIAL  
FAX (573)-744-5822  
www.quakerwindows.com

Scale: NONE  
504 Highway 63 South  
Freeburg, MO 65035  
drafting@quakerwindows.com

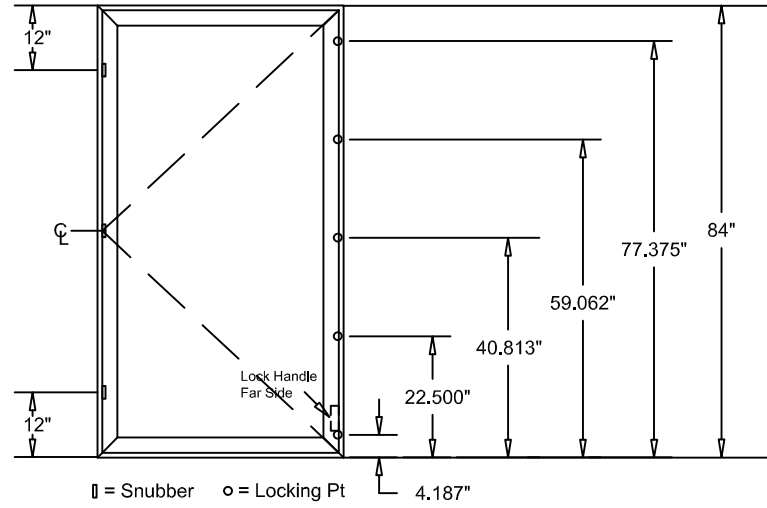
Drawn By: Bud  
Date: 08-22-2023

Tanya A. Dolby, P.E.  
FL P.E. No. 93536  
Intertek – ATI  
130 Derry Ct. York, PA 17406  
(717) 764-7700  
Project: Q5070.01

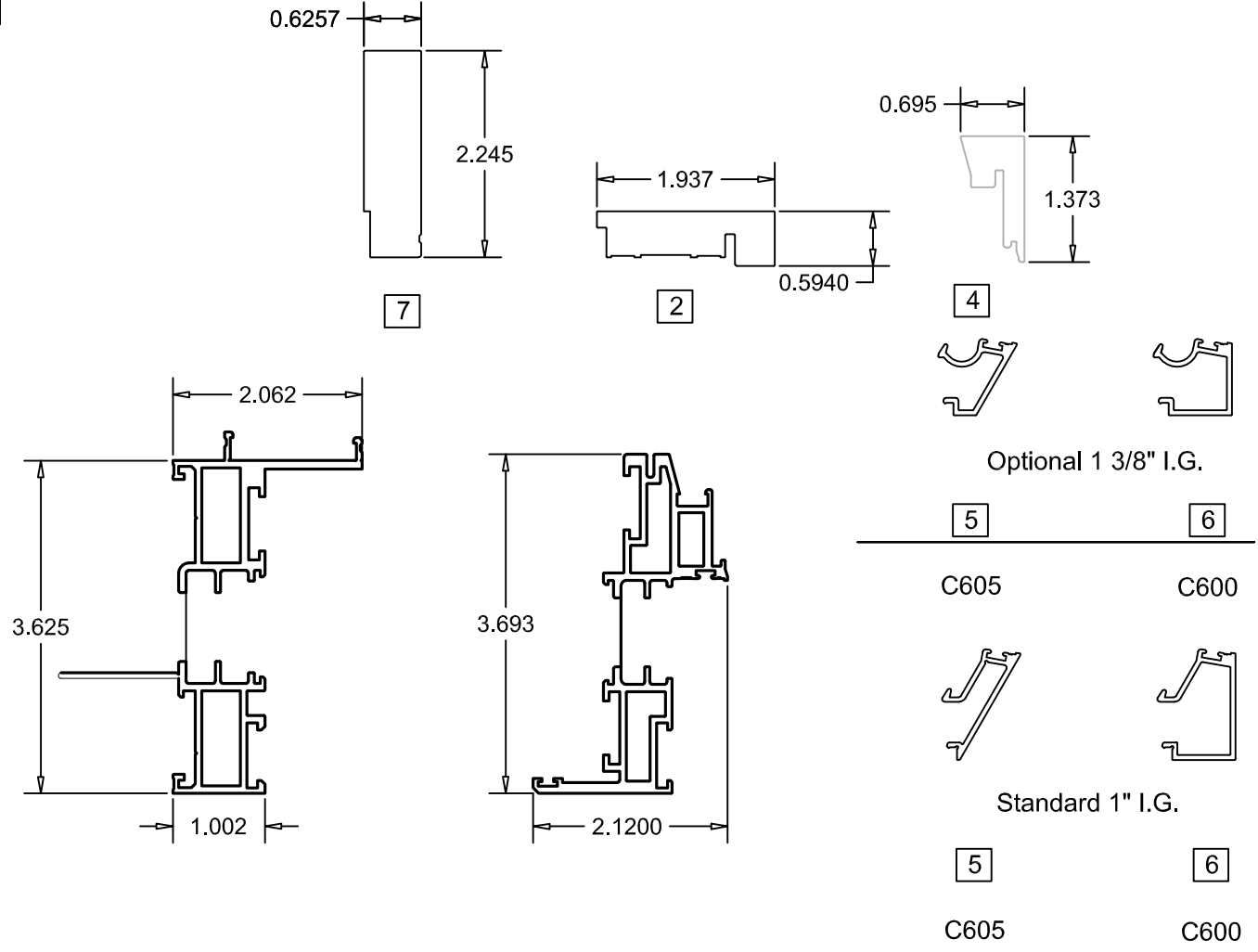
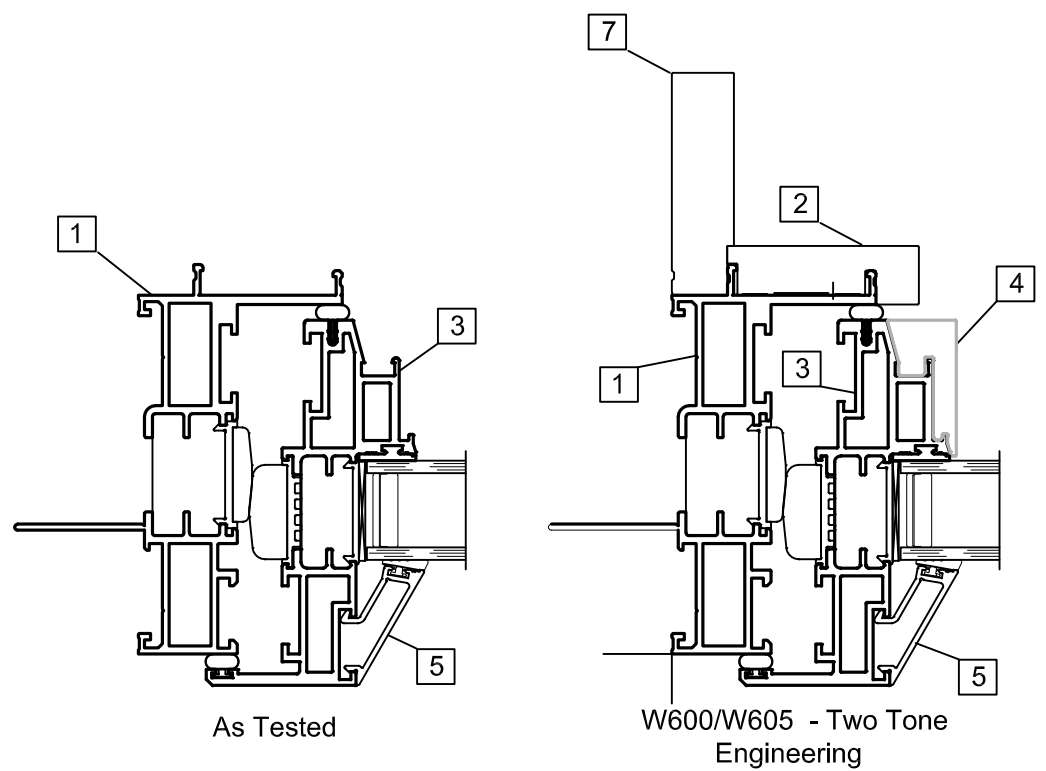


# NOTE: TYPICAL W600/W605 WOOD TWO TONE CASEMENT WINDOW - NAIL FIN INSTALLATION

Bill of Materials				
NO.	Description	Part Number	Material	Manufacturer
1	Frame w/ Nail Fin - 2T	23008	Aluminum 6063-T6	Tower Extrusions
2	Frame Cladding	23048	Aluminum 6063-T6	Tower Extrusions
3	Sash - 2T	23609	Aluminum 6063-T6	Tower Extrusions
4	Sash Cladding	23688	Aluminum 6063-T6	Tower Extrusions
5	Beveled Glazing Bead	23982	Aluminum 6063-T6	Tower Extrusions
6	Square Glazing Bead	23114	Aluminum 6063-T6	Tower Extrusions
Hardware				
Part	Number	Qty	Manufacturer	
14" Roto Operator	55.00.XX.222	1	Truth	
Contour LP Euro Lock	24.45.XX.001	1	Truth	
CHIC LH Hinge	43540002	1	Giese	
CHIC Snubber	4358800	3	Giese	
OS Security Lock Point	2067000	5	Giese	
Transmission Bar	03524N	2	Giese	
Ramp Block	2352	1	Truth	



Tanya A. Dolby, P.E.  
 FL P.E. No. 93536  
 Intertek - ATI  
 130 Derry Ct. York, PA 17406  
 (717) 764-7700  
 Project: Q5070.01



Project Name: **W600/W605 Casement  
 Wood Two Tone  
 Installation Instructions**

## GENERAL NOTES

QUAKER WINDOW PRODUCTS  
 WILL NOT BE RESPONSIBLE  
 FOR FIELD MEASUREMENT,  
 QUANTITIES, & INSTALLATION  
 DESIGN. CONTRACTOR MUST  
 VERIFY ALL DIMENSIONS.

PHONE (573)-744-5211  
 FAX (573)-744-5586  
 COMMERCIAL  
 FAX (573)-744-5822  
 www.quakerwindows.com

Scale: NONE  
 Sheet #: 4 of 4

504 Highway 63 South  
 Freeburg, MO 65035  
 drafting@quakerwindows.com

Drawn By: Bud  
 Date: 08-22-2023

